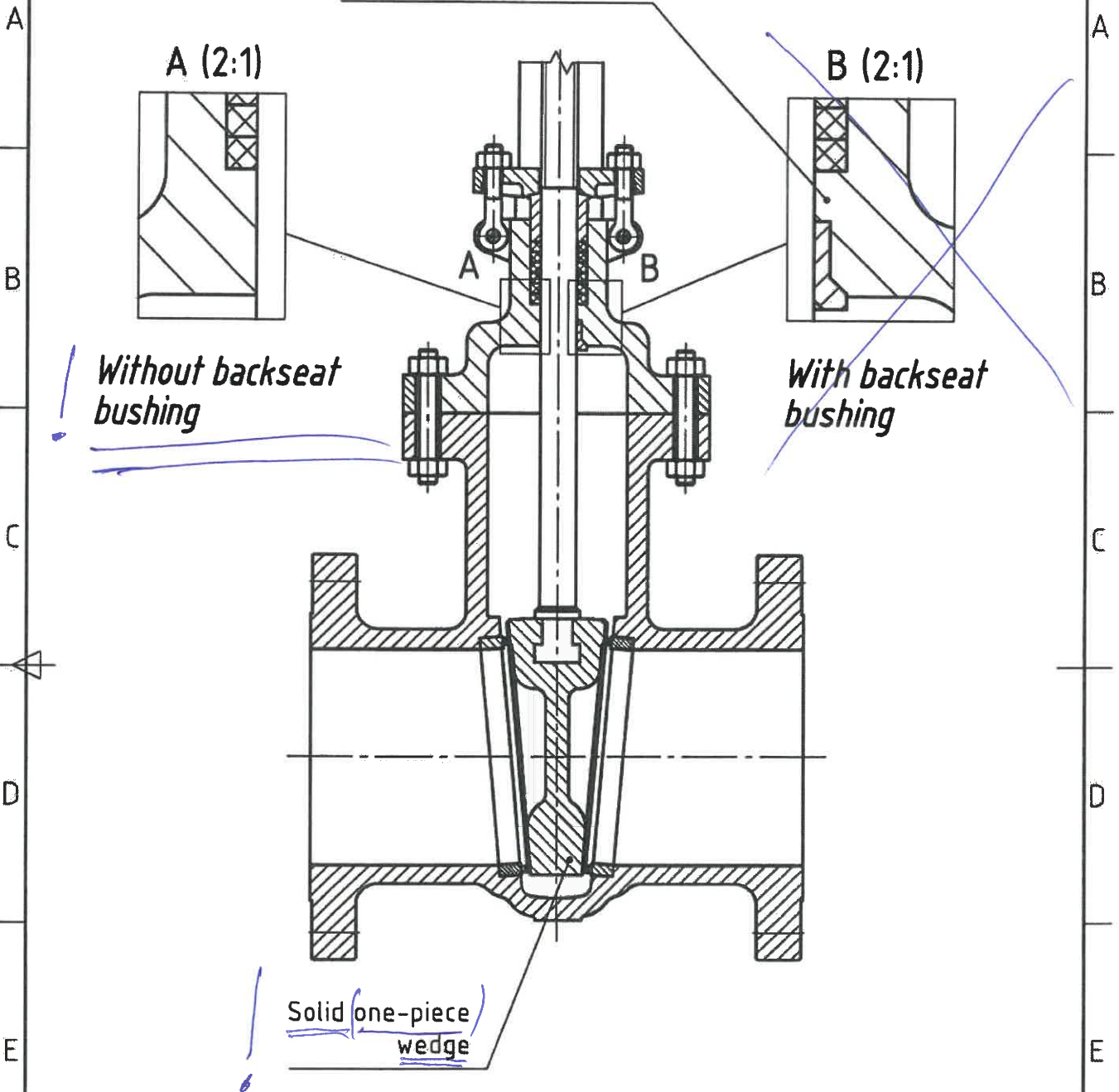


1 | 2 | 3 | 4



AB "ORLEN Lietuva" Mechanikos skyrius		Surface	Scale 1:1.5	Position -	Quantity -
			Do not scale	Dwg.No. AN-16-42	
		Date	Name	Gate valve	
		Drawn 2016.03.10	A. NORKUS		
		Checked 2016.03.14	V. Kumslytis		
		Standard			
				Page -	
				Pg -	
State	Changes	Date	Name	Filename	SklendesPvx
1					4

2016.03.14